

# WIDDER TOOLS



Industrial Manufacturing Solutions

## 18405 Pneumatic 'Gator' Saw



### ***PRODUCT INFORMATION AND OPERATING INSTRUCTIONS***

**Description:** The **18405** Pneumatic 'Gator' Saw is an air-powered, heavy-duty reciprocating saw for cutting and demolition. This saw uses standard reciprocating saw blades.

**Cutting Capacity:** 1-1/2" under blade length

**Specifications:** 1.5HP @ 45 CFM at optimal 105-110 PSI  
1" Stroke – Variable Speed (0-1800 Strokes/Minute)

**Weight:** 10.5 lbs.

**IMPORTANT: READ MANUAL CAREFULLY BEFORE OPERATING THIS TOOL.  
FOLLOW ALL SAFETY PRECAUTIONS LISTED AND ALL OSHA REGULATIONS  
PERTAINING TO THIS TOOL.**

## ***SAFETY PRECAUTIONS:***

**Warning: When using air tools, basic safety precautions should always be followed to reduce the risk of injury, including the following:**

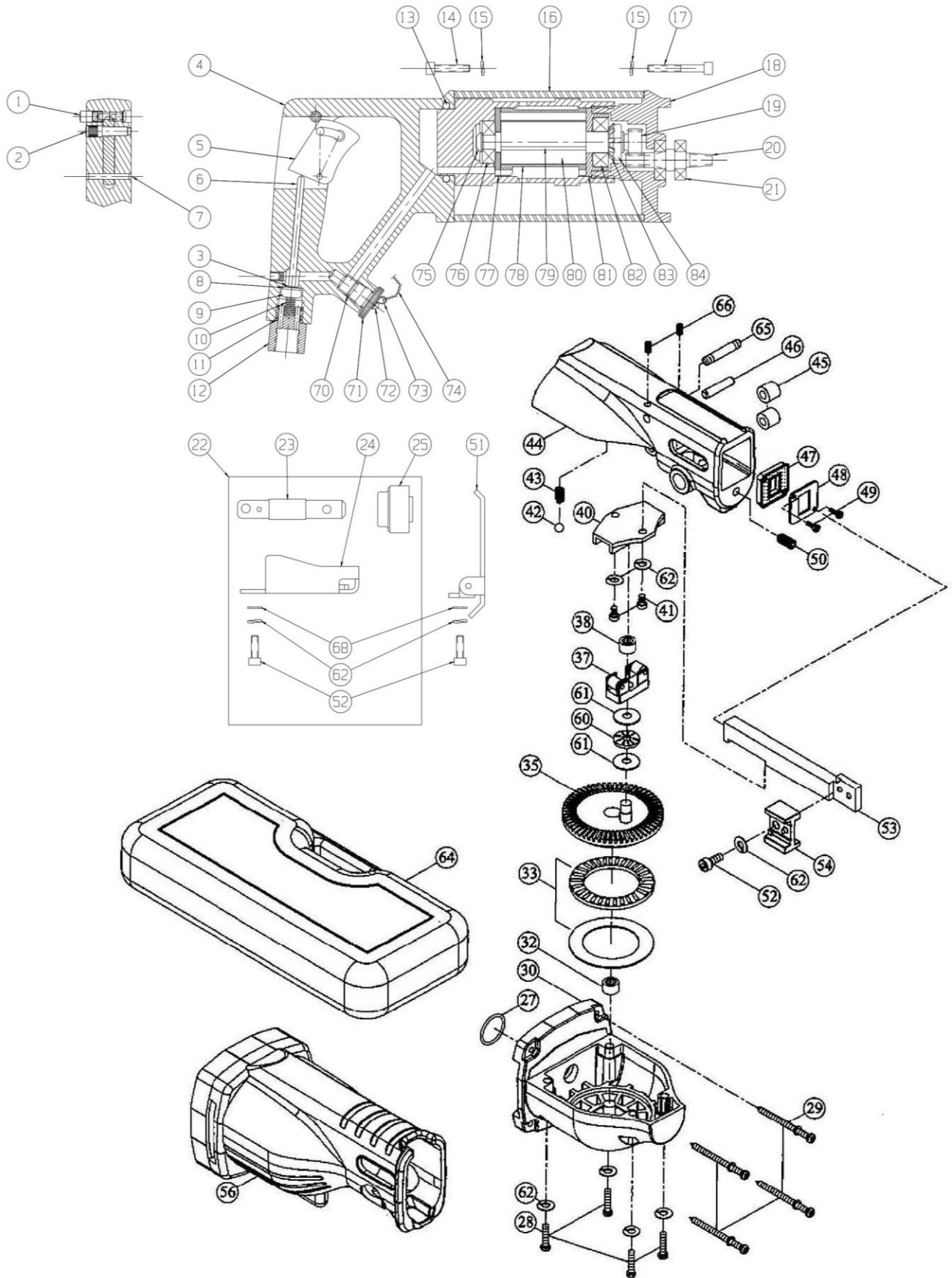
1. **Avoid accidental starting.**
  - Keep throttle shutoff closed when transporting or repositioning
2. **Disconnect Machine.**
  - This tool should be disconnected when not in use. If air is shutoff, tool should be discharged of any stored air pressure.
3. **Maximum Air Pressure**
  - Maximum air pressure is 135 PSI.
  - Use clean, lubricated, regulated air.
4. **Protect Airlines**
  - Avoid using excessive length airlines. Extended airlines reduce tool power and are a working hazard.
  - Inspect all airlines for safe condition before use.
5. **Maintain Tool.**
  - Use sharp blades and keep Saw clean for optimum performance.
  - Keep handles clean, dry and free from oil and grease.
  - This tool, like all air tools, will provide best performance with lubrication.
  - Use **WIDDER** Air Tool Lube for best performance
6. **Do not force tool.**
  - Use tool pressed firmly against reaction plate.
  - Cut should be performed with adequate force to develop chips during cutting but not so as to stall the tool under load.
7. **Support work piece**
  - Be sure to support the work piece on both sides of any cut. An unsupported work piece can sag, pinching the blade and causing the blade to break or shatter.
8. **Dress properly.**
  - Do not wear loose clothing or jewelry as they can be caught in moving parts.
  - Work gloves and non-skid footwear are recommended.
  - Wear ear protection.
  - Wear safety glasses.
9. **Maintenance.**
  - Maintenance should be performed by a **WIDDER** Factory Authorized Service Representative.
10. **Replacement Parts.**
  - When servicing, use only genuine **WIDDER** replacement parts from an authorized distributor.

## ***OPERATING INSTRUCTIONS:***

**Warning: Operator should be thoroughly familiar with safety precautions before attempting to operate this tool.**

1. Install saw blade firmly with Lock plate and pin engaged with blade.
2. Start saw and adjust throttle speed to material speed specifications.
3. Manually feed blade into cut, applying enough pressure to produce chips shaped like small 6 or 9 shaped pieces. Adjust saw speed to compensate for load if required.
4. Keep reaction plate against work-piece to reduce vibration.
5. If possible, apply lubricant, water, or air blast to cut. This will extend blade life, speed cutting time, and keep the blade and work piece cool.
6. **CAUTION:** No steel cutting blade can cut without the chance of heat or sparks. Do not use tool in explosive environments without following all industry accepted practices for safe power tool and metal working operation.
7. Lubricate after use. Apply small amount of air tool or water displacing light spindle oil into throttle intake, reconnect tool and run for 10 seconds before disconnecting for storage

# WIDDER Pneumatic Speed Saw #18405



# WIDDER Pneumatic Speed Saw #18405

Item	Part #	MFG #	Description	Qty
1	18719	33-0011	Lockout PinAssy.	1
2	18730	33-1025	Trigger Retention Pin	2
3	18676	33-1007	E-clip	1
4	18670	33-0010	Handle Assy.	1
5	18673	33-1004	Trigger	1
6	18675	33-1006	Trigger Rod	1
7	18678	33-1009	Pivot Pin	1
8	18312	STA-707	Seal	1
9	18311	01-1224	Seal Cup	1
10	18310	STA-709	Spring (Throttle)	1
11	18682	33-1014	O-Ring (Inlet)	1
12	18674	33-1005	Inlet Adaptor	1
13	18679	33-1010	O-Ring (Motor)	1
14	18684	33-1017	Cap Screw (M5x25)	4
15	18686	33-1019	Lock Washer	8
16	18672	33-1003	Cover	1
17	18685	33-1018	Cap Screw (M5x40)	4
18	18671	33-1002	Front End Plate	1
19	18680	33-1011	Motor Gear	1
20	18681	33-1012	Double Pinion	1
21	18688	33-1021	Ball Bearing	2
22	18413	33-0012	Quick Change Kit	1
23	18667	33-1202	Rod Adapter	1
24	18668	33-1201	Shoe Extension	1
25	18669	33-1203	Blade Clamp Assy.	1
27	18721	33-1127	O-Ring	1
28	18690	33-1128	Screw (Case)	4
29	18685	33-1018	Cap Screw (M5x40)	4
30	18691	33-1130	Gear Housing	1
32	18692	33-1132	Needle Bearing	1
33	18693	33-1133	Thrust Bearing	1
35	18720	33-1135	Crank Gear	1
37	18694	33-1137	Guide Assy.	1
38	18695	33-1138	Needle Bearing	1
40	18696	33-1140	Track	1

Item	Part #	MFG #	Description	Qty
41	18697	33-1141	Cap Screw (M5x12)	2
42	18698	33-1142	Check Ball	1
43	18699	33-1143	Spring (Check Ball)	1
44	18700	33-1144	Housing	1
45	18701	33-1145	Roller	2
46	18702	33-1146	Roller Axle, Lower	1
47	18703	33-1147	Oiler	1
48	18704	33-1148	Frame	1
49	18705	33-1149	Screw	2
50	18706	33-1150	Detent	1
51	18707	33-1151	Shoe	1
52	18708	33-1152	Cap Screw (M5x16)	2
53	18709	33-1153	Connecting Rod	1
54	18710	33-1154	Blade Clamp	1
56	18711	33-1156	Rubber Boot	1
60	18712	33-1160	Thrust Bearing	1
61	18713	33-1161	Thrust Washer	2
62	18714	33-1162	Spring Washer	4
65	18715	33-1165	Roller Axle, Upper	1
66	18716	33-1166	Set Screw	2
68	18718	33-1168	Washer	1
70	18318	01-1227	O-Ring	1
71	18317	01-1223	Throttle Screw	1
72	18319	01-1232	Drive Stud	2
73	18320	01-1231	End Coupling	2
74	18321	01-1233	Bead Chain	1
75	18072	01-1088	Screw	1
76	18071	02-1011	Ball Bearing	1
77	18069	01-1140	Rear Plate	1
78	18067	01-1096	Cylinder	1
79	18065	01-1144	Vane Set	1
80	18066	01-1097	Rotor	1
81	18064	01-1092	Front End Plate	1
82	18063	01-1084	Ball Bearing	1
83	18062	01-1138	Lock washer	1
84	18061	01-1137	Lock Nut	1