

WIDDER® TOOLS



Industrial Manufacturing Solutions

18402 Electric Portable Band Saw



PRODUCT INFORMATION AND OPERATING INSTRUCTIONS:

Description: The **18402** band saw is an indispensable tool for fast field work, construction and indoor maintenance. It's a light, flexible use band saw that uses the same low-maintenance brush-type electric motor in both the 110V and 220V versions.

Cutting Capacity: 4-7/8" width x 4" depth

Specifications: 220 V, 3 Amps
Variable Speed (0-240 Feet/Minute)

Weight: 15 lbs.

IMPORTANT: FOR YOUR SAFETY BEFORE OPERATING THIS UNIT, READ THIS OPERATOR'S MANUAL CAREFULLY AND COMPLETELY. LEARN THE OPERATION, APPLICATIONS, AND POTENTIAL HAZARDS PARTICULAR TO THIS TOOL.

SAFETY PRECAUTIONS:

Warning: When using power tools, basic safety precautions should always be followed to reduce the risk of injury, including the following:

1. **Disconnect Machine.**
 - Unplug tool when not in use.
 - Store tool unplugged.
 - Do not plug or unplug machine with power switch engaged.
2. **Protect Power Cords**
 - Use only appropriate circuits and cords for this tool.
 - Power tools should be used with the shortest extension cords only, rated for at least 50% more than the rated amp load listed above.
 - Do not combine cords for extra length. This could cause cord failure and fire and could damage the drive motor.
 - In outdoor applications, use on GFI circuits only with outdoor rated cords.
 - Inspect all power cords for safe condition before use.
3. **Check Surroundings**
 - Be sure work area is clean and free of debris.
 - Be sure tool is used clear from other workers, children, or animals.
 - Do not operate near power lines, in wet areas or on wet applications.
4. **Maintain Tool.**
 - Use sharp blades and keep Saw clean for optimum performance.
 - Keep handles clean, dry and free from oil and grease.
5. **Do not force tool.**
 - Use tool pressed firmly against reaction plate.
 - Cut should be performed with adequate force to develop chips during cutting but not so as to stall the tool under load.
6. **Support work piece**
 - Be sure to support the work piece on both sides of any cut. An unsupported work piece can sag, pinching the blade and causing the blade to break or shatter.
7. **Dress properly.**
 - Do not wear loose clothing or jewelry as they can be caught in moving parts.
 - Work gloves and non-skid footwear are recommended.
 - Wear ear protection.
 - Wear safety glasses.
8. **Maintenance.**
 - Maintenance should be performed by a **WIDDER®** Factory Authorized Service Representative.
9. **Replacement Parts.**
 - When servicing, use only genuine **WIDDER®** replacement parts from an authorized distributor.

OPERATING INSTRUCTIONS:

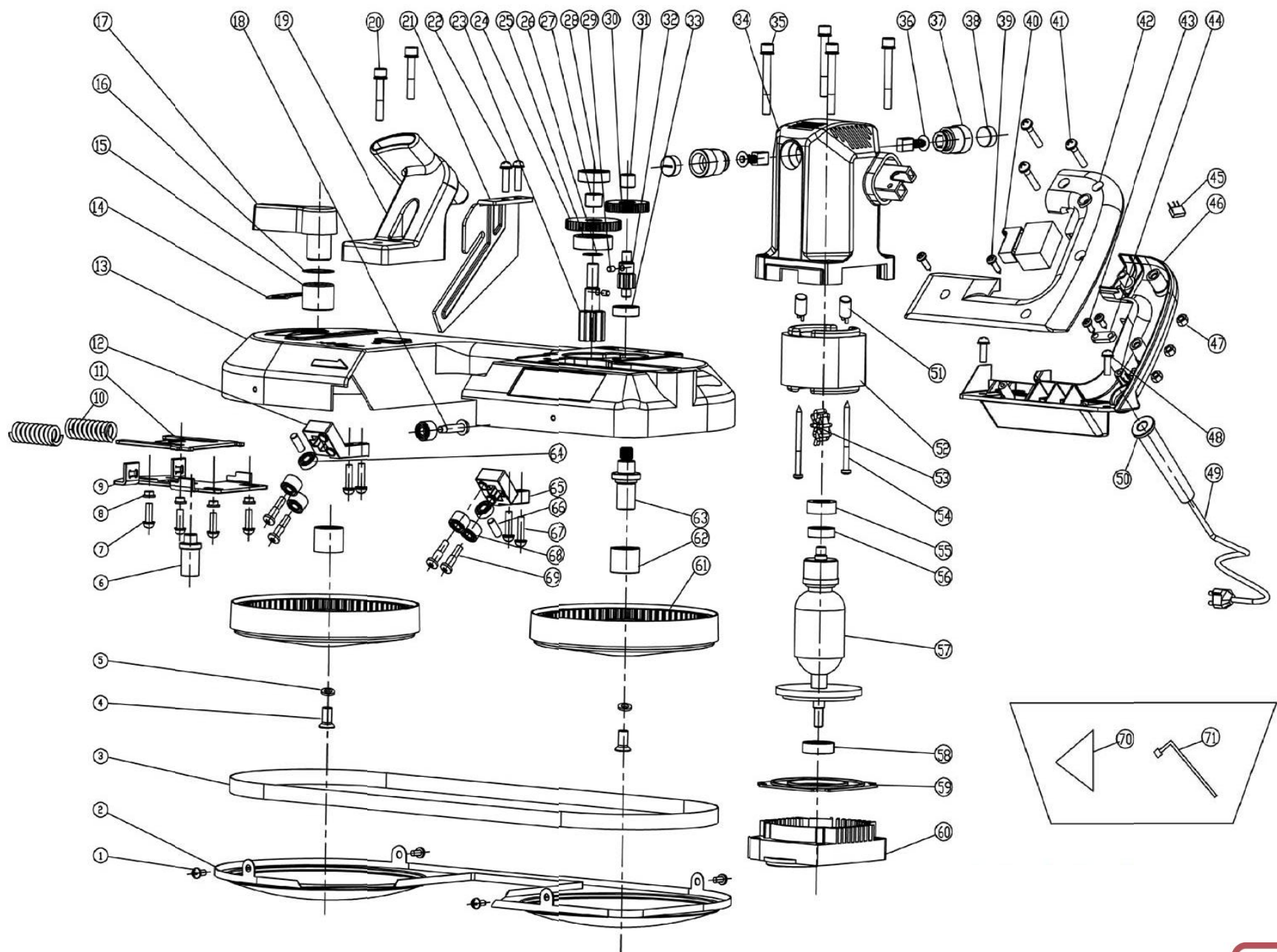
Warning: Operator should be thoroughly familiar with safety precautions before attempting to operate this tool. Do not connect tool to power until the following procedures are complete.

1. Install blade guide per photo below:



2. Inspect blade for damage and be sure blade is sharp. Be sure blade is in roller guides and teeth point in proper direction.
3. Tighten blade by flipping blade-tensioning lever – be sure the blade is in the guides and still moves smoothly.
4. Connect to power following all safety warnings.
5. Be sure work piece is secure.
6. Test start tool and adjust speed using dial to correct operating speed in FPM based upon material type.
7. Place blade guide against work piece. Power the tool on by depressing the on/off switch.
8. Place tool into cut, slowly, with blade at right angles to the work piece, using a firm grip. Do not force the tool, chips should be in the shape of small number “6”s or “9”s.
9. Allow tool to come to a stop before setting down.
10. Store with blade tension removed and tool unplugged.

WIDDER® Electric Band Saw #18402



WIDDER® Electric Band Saw #18402

Item #	Part #	MFG #	Description	Qty.
1	18409	27-1016	Stud	4
2	18480	27-1131	Cover	1
3	18479	27-1130	Blade	1
4&5	18469	27-1120	Screw & Washer (Pulley)	2
6/9/10/11	18464	27-0013	Spring Plate Assy	1
7	18463	27-1114	Screw – M5x15	4
8	18462	27-1113	Collar	4
12	18459	27-1110	Left Guide	1
13	18458	27-1109	Frame	2
15	18484	27-1135	Bushing	1
17	18454	27-1105	Tension Handle	1
18	18485	27-1136	Pan-head Screw	1
19	18456	27-1107	Grip Handle	2
20	18457	27-1108	S.H.C.S.	1
21	18478	27-1129	Guide Bar	2
22	18477	27-1128	Guide Bar Fasteners	2
23	18453	27-1104	Gear Shaft	1
24	18510	28-1101	Gear	1
25	18451	27-1102	Ball Bearing	1
26	18450	27-1101	Stop Ring	1

Item #	Part #	MFG #	Description	Qty.
27	18511	28-1102	Bushing	1
28	18489	27-1140	Ball Bearing	2
29	18452	27-1103	Pin	2
30	18512	28-1002	Helical Gear	1
31	18513	28-1003	Needle Bearing	1
32	18514	28-1004	Gear Shaft	1
33	18515	28-1005	Ball Bearing	1
34-60	18516	28-1001	Motor Assy	1
40	18517	28-1006	Switch & Lock	1
49&50	18518	28-1007	Cord Assy	1
61&62	18468	27-1119	Pully Assy	2
63	18486	27-1137	Fixed Pulley Stud	1
64	18474	27-1125	Bearing	3
65	18470	27-1121	Right Guide	1
66	18475	27-1126	Pin Shaft	1
67	18473	27-1124	Blade Guide Fasteners	3
68	18488	27-1139	Bearing Assy	4
69	18476	27-1127	Screw	4
70	18482	27-1133	Square	1
71	18483	27-1134	Hex Key	1