

# WIDDER® TOOLS



Industrial Manufacturing Solutions

## 18400 Pneumatic Portable Band Saw



### ***PRODUCT INFORMATION AND OPERATING INSTRUCTIONS:***

**Description:** The **18400** band saw is built around the same powerful motor as our **10267** Power Hacksaw. There is simply no portable band saw available that offers more cutting power at a feather-light 15lbs.

**Cutting Capacity:** 4-½” Round/Square

**Specifications:** 45 CFM at optimal 95 PSI  
Variable Speed (0-400 Feet/Minute)

**Weight:** 15 lbs.

**IMPORTANT: FOR YOUR SAFETY BEFORE OPERATING THIS UNIT, READ THIS OPERATOR’S MANUAL CAREFULLY AND COMPLETELY. LEARN THE OPERATION, APPLICATIONS, AND POTENTIAL HAZARDS PECIALIAR TO THIS TOOL.**

## ***SAFETY PRECAUTIONS:***

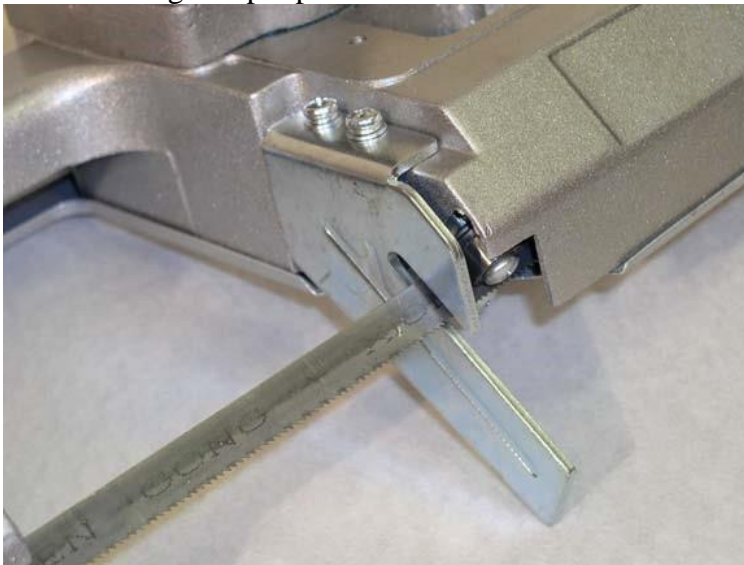
**Warning: When using air tools, basic safety precautions should always be followed to reduce the risk of injury, including the following:**

1. **Avoid accidental starting.**
  - Keep throttle shutoff closed when transporting or repositioning
2. **Disconnect Machine.**
  - This tool should be disconnected when not in use. If air is shutoff, tool should be discharged of any stored air pressure.
3. **Maximum Air Pressure**
  - Maximum air pressure is 135 PSI.
  - Use clean, lubricated, regulated air.
4. **Protect Airlines**
  - Avoid using excessive length airlines. Extended airlines reduce tool power and are a working hazard.
  - Inspect all airlines for safe condition before use.
5. **Maintain Tool.**
  - Use sharp blades and keep Saw clean for optimum performance.
  - Keep handles clean, dry and free from oil and grease.
  - This tool, like all air tools, will provide best performance with lubrication.
  - Use **WIDDER®** Air Tool Lube for best performance
6. **Do not force tool.**
  - Use tool pressed firmly against reaction plate.
  - Cut should be performed with adequate force to develop chips during cutting but not so as to stall the tool under load.
7. **Support work piece**
  - Be sure to support the work piece on both sides of any cut. An unsupported work piece can sag, pinching the blade and causing the blade to break or shatter.
8. **Dress properly.**
  - Do not wear loose clothing or jewelry as they can be caught in moving parts.
  - Work gloves and non-skid footwear are recommended.
  - Wear ear protection.
  - Wear safety glasses.
9. **Maintenance.**
  - Maintenance should be performed by a **WIDDER®** Factory Authorized Service Representative.
10. **Replacement Parts.**
  - When servicing, use only genuine **WIDDER®** replacement parts from an authorized distributor.

## ***OPERATING INSTRUCTIONS:***

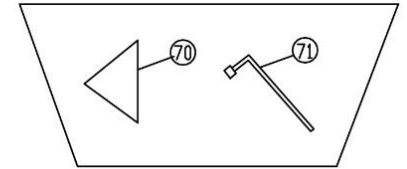
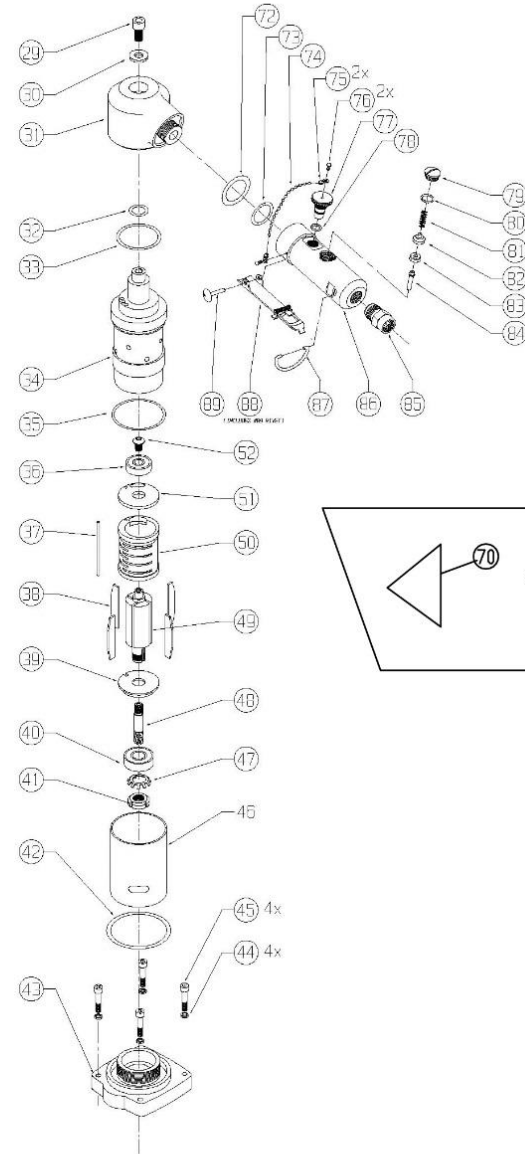
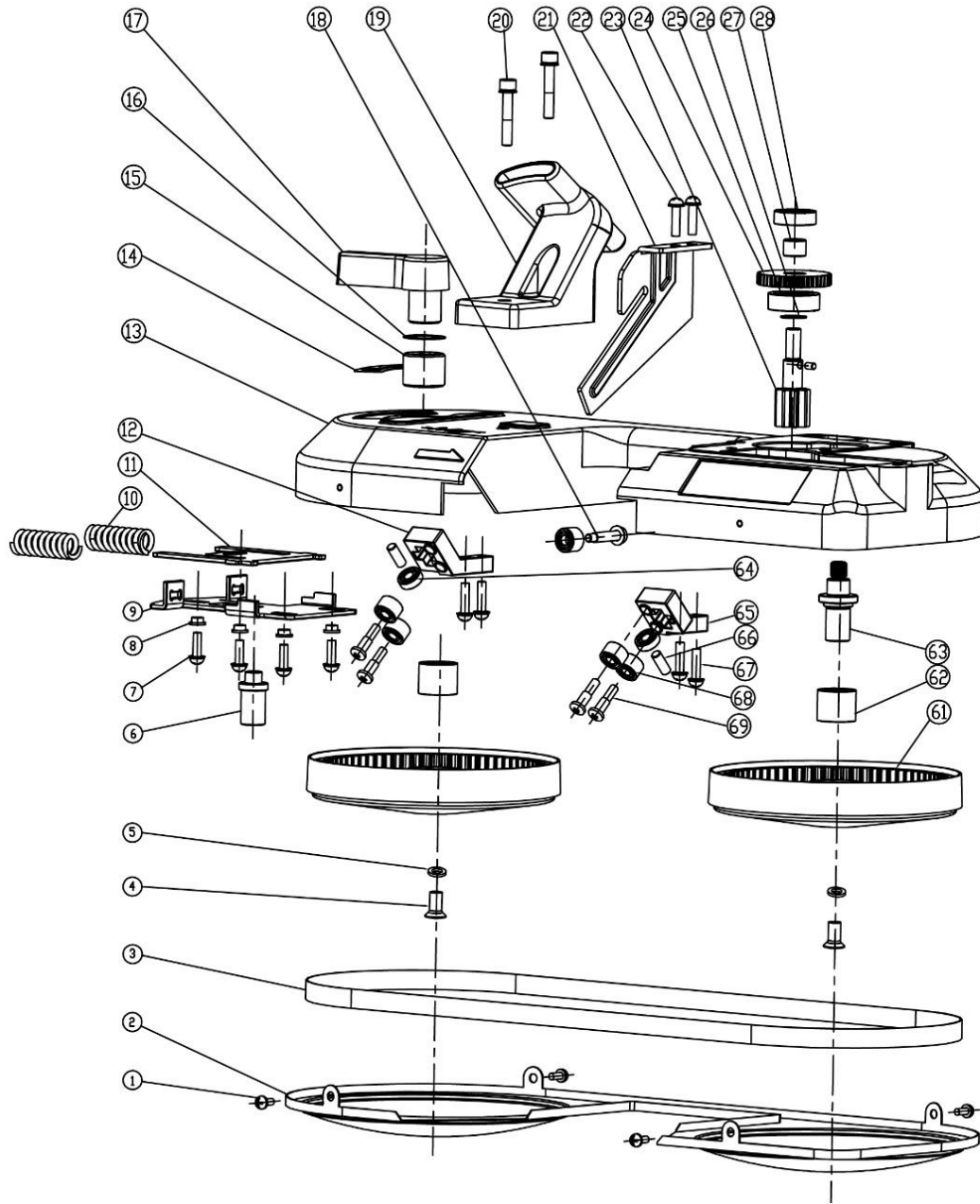
**Warning: Operator should be thoroughly familiar with safety precautions before attempting to operate this tool. Do not connect tool to power until the following procedures are complete.**

1. Install blade guide per photo below:



2. Throttle position can be adjusted for comfortable use by turning motor body via the Allen cap screw on the top of the motor.
3. Inspect blade for damage and be sure blade is sharp. Be sure blade is in roller guides and teeth point in proper direction.
4. Tighten blade by flipping blade-tensioning lever – be sure the blade is in the guides and still moves smoothly.
5. Connect regulated/lubricated airline following all safety warnings.
6. Be sure work piece is secure.
7. Test start tool and adjust speed using throttle screw to correct operating speed in FPM based upon material type.
8. Place blade guide against work piece. Power the tool on by depressing the on/off switch.
9. Place tool into cut, slowly, with blade at right angles to the work piece, using a firm grip. Do not force the tool, chips should be in the shape of small number “6”s or “9”s.
10. Allow tool to come to a stop before setting down.
11. Store with blade tension removed and tool disconnected.

# WIDDER® Pneumatic Band Saw #18400



# WIDDER® Pneumatic Band Saw #18400

Item	Part#	MFG#	Description	Qty.
1	18409	27-1016	Stud	4
2	18480	27-1131	Cover	1
3	18479	27-1130	Blade	1
4&5	18469	27-1120	Screw & Washer (Pulley)	2
6/9/10/11	18464	27-0013	Spring Plate Assembly	1
7	18463	27-1114	Screw (M5x15)	4
8	18462	27-1113	Collar	4
12	18459	27-1110	Left Guide	1
13	18458	27-1109	Frame	1
15	18484	27-1135	Bushing	1
17	18454	27-1105	Tension Handle	1
18	18485	27-1136	Pan-head Screw	1
19	18456	27-1107	Grip Handle	1
20	18457	27-1108	S.H.S.C.	2
21	18478	27-1129	Guide Bar	1
22	18477	27-1128	Guide Bar Fasteners	2
23	18453	27-1104	Gear Shaft	1
24	18510	28-1101	Gear	1
25	18451	27-1102	Ball Bearing	1
26	18450	27-1101	Stop Ring	1
27	18511	28-1102	Bushing	1
28	18489	27-1140	Ball Bearing	2
29	18421	27-1013	Screw	1
30	18420	27-1012	Washer	1

Item	Part #	MFG#	Description	Qty.
31	18422	27-0011	Throttle Adaptor Assy.	1
32	18416	27-1009	O-ring	1
33	18415	27-1008	O-ring	1
34	18423	27-0012	Motor Housing Assy	1
35	18078	01-1146	O-ring	1
36	18071	02-1011	Ball Bearing	1
41	18061	01-1137	Lock Nut	1
42	18414	27-1007	O-Ring	1
43	18411	27-1003	Motor Adapter	1
44	18424	27-1014	Lock Washer	4
45	18725	27-1015	S.H.C.S.	4
46	17990	01-1125	Air Motor Cover	1
47	18062	01-1138	Lock Washer	1
48	19005	01-1070	Pinion	1
49	18066	01-1097	Rotor	1
50	18067	01-1096	Cylinder	1
51	18069	01-1140	Rear Plate	1
52	18072	01-1088	Screw	1
61/62	18468	27-1119	Pulley Assy.	2
63	18486	27-1137	Pulley Stud	1
64	18474	27-1125	Bearing	3
65	18470	27-1121	Right Guide	1
66	18475	27-1126	Pin Shaft	1

Item	Part #	MFG #	Description	Qty.
67	18473	27-1124	Blade Guide Fasteners	3
68	18488	27-1139	Bearing Assembly	4
69	18476	27-1127	Screw	4
70	18482	27-1133	Square	1
71	18483	27-1134	Hex Key	1
72	18419	27-1010	Adjusting Shim	3
73	18077	01-1147	O-ring	1
74	18321	01-1233	Bead Chain	1
75	18320	01-1231	End Coupling	2
76	18319	01-1232	Drive Stud	2
77	18317	01-1223	Throttle Screw	1
78	18318	01-1227	O-ring	1
79	18308	STA-711	Valve cover	1
80	18309	STA-710	O-ring	1
81	18310	STA-709	Spring	1
82	18311	01-1224	Seal Cup	1
83	18312	STA-707	Valve Seal	1
84	18313	01-1221	Valve Pin	1
85	18087	01-0029	Nut and Screen Assy.	1
86	18314	01-1220	Throttle Body	1
87	18306	01-1226	D-Ring	1
88	18336	01-1222	Trigger Assy (lockout)	1
89	18316	01-1225	Rivet	1