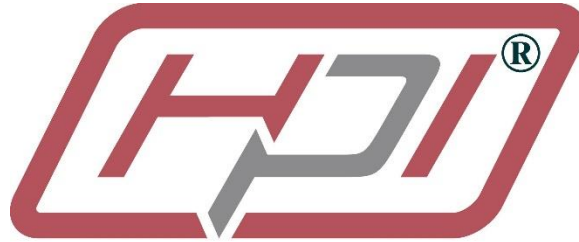


# WIDDER® TOOLS



Industrial Manufacturing Solutions

## 18498/18499/18440 Air Lubricator and Whip Hose



### *Product Description and Operating Instructions*

**Description:** The 18498/18499/18440 is an in-line lubricator for air tools with 1/4" NPT through 1/2" NPT supply line requirements. This lubricator will improve the performance and lengthen the service life of any air tool.

**Specifications:** 2.5 oz. of oil, 6' x 1/2" ID 300 PSI WP airline with a universal crow's foot twist input and choice of 1/4", 3/8" or 1/2" male NPT output.

**IMPORTANT: FOR YOUR SAFETY BEFORE OPERATING THIS UNIT, READ THIS OPERATOR'S MANUAL CAREFULLY AND COMPLETELY. LEARN THE OPERATION, APPLICATIONS, AND POTENTIAL HAZARDS PETICULAR TO THIS TOOL.**

## ***SAFETY PRECAUTIONS AND OPERATION***

### **Disconnect Before Servicing:**

Be sure airline and lubricator are disconnected from pressure source before adding **WIDDER**® Air Tool Lubricant.

The lubricator body has a safety relief feature in the cap.

Unscrew the oil fill cap slowly to detect and relieve any residual pressure.

### **Setting Flow:**

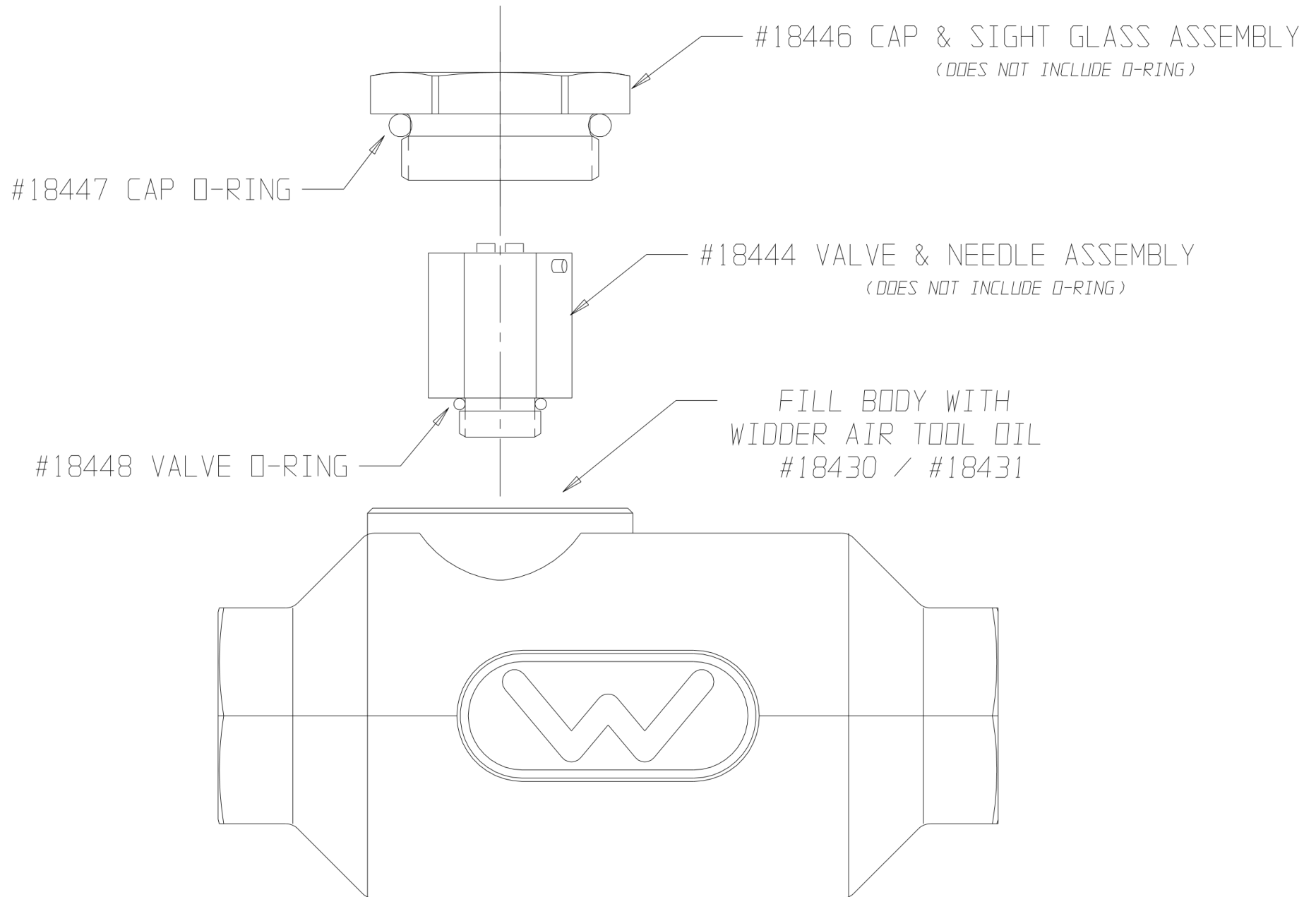
The lubricator can be set from very low to high flow by adjusting the screw within the oil fill chamber.

Following the safety precautions above, adjust the flow by turning the screw mark.

Highest flow is screwed all the way out to the stop (counter-clockwise).

Lowest flow is screwed all the way in (clockwise).

# WIDDER® Lubricator and Whip #18440



## **WIDDER® Lubricator and Whip #18440**

Cap/Sight-Glass Assembly and the Adjusting Valve Assembly are factory assembled and are non-serviceable: Replace with new components if necessary.

<b>Part #</b>	<b>Description</b>
<b>18498</b>	<b>Lubricator with Whip Hose – ¼” NPT</b>
<b>18499</b>	<b>Lubricator with Whip Hose – 3/8” NPT</b>
<b>18440</b>	<b>Lubricator with Whip Hose – ½” NPT</b>
<b>18441</b>	<b>Lubricator Assembly Only ½” NPT</b>
<b>18444</b>	<b>Valve and Needle Assembly</b>
<b>18446</b>	<b>Cap and Sight-Glass Assembly</b>
<b>18443</b>	<b>Whip Hose Only – 6’ x ¼” NPT</b>
<b>18445</b>	<b>Whip Hose Only – 6’ x 3/8” NPT</b>
<b>18449</b>	<b>Whip Hose Only – 6’ x ½” NPT</b>
<b>18442</b>	<b>Lubricator Body Only</b>
<b>18447</b>	<b>Cap O-ring</b>
<b>18448</b>	<b>Valve O-ring</b>
<b>18491</b>	<b>Universal Twist Coupling ½” NPT</b>
<b>18496</b>	<b>½” Barb to ¼” NPTM Fiting</b>
<b>18497</b>	<b>½” Barb to 3/8” NPTM Fitting</b>
<b>18492</b>	<b>½” Barb to ½” NPTM Fitting</b>