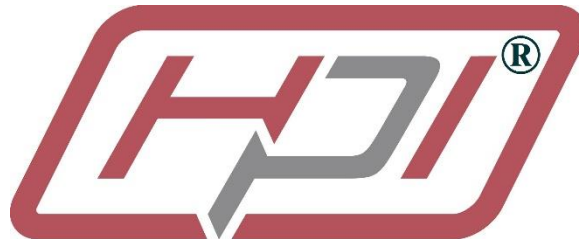


# WIDDER® TOOLS



Industrial Manufacturing Solutions

## HPIH Hand Pump



### ***PRODUCT INFORMATION AND OPERATING INSTRUCTIONS:***

**Description:** The H Series is a portable, self-contained, manual hand pump hydrostatic test systems. H Series units come standard with relief valves and a soft seat check valve system for solid performance. The H Series also includes a convenient handle slot for ease and safety during transportation.

**Specifications:** Displacement per stroke: -3000 model - .53 cu. in.  
-5000 model - .30 cu. in.

Inlet and Outlet: ½" NPT - Female

**Weight:** 18 lbs.

**IMPORTANT: FOR YOUR SAFETY BEFORE OPERATING THIS UNIT, READ THIS OPERATOR'S MANUAL CAREFULLY AND COMPLETELY. LEARN THE OPERATION, APPLICATIONS, AND POTENTIAL HAZARDS PETICULAR TO THIS TOOL.**

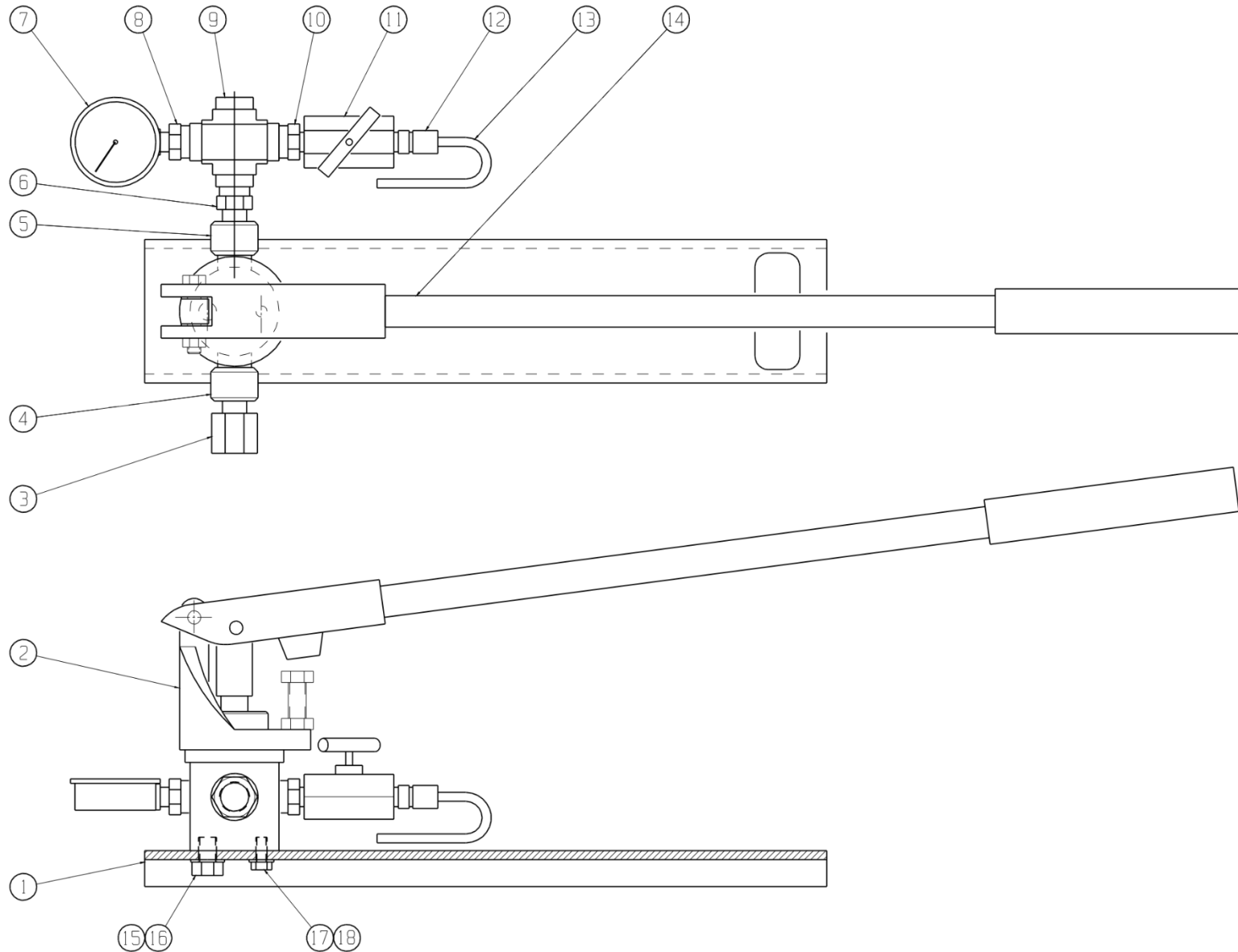
### ***SAFETY PRECAUTIONS:***

1. Be sure all pressure on air and water fittings is relieved before disconnecting any hoses or fittings.
2. Wear eye protection.
3. Pressurization of any materials is dangerous- follow OSHA procedures for stored energy and any pressurization cautions pertaining to the fluids used.
4. This system can develop pressure up to the nameplate pressure- do not over pressure test vessels as damage can occur.

### ***OPERATING INSTRUCTIONS:***

1. Close Needle Bleed Valve.
2. Attach water to input side with supply off.
3. Attach output using suitable hose.
4. Fill vessel to be tested by opening water supply
5. When vessel is full, lift pump handle completely and crack needle valve to bleed any air
6. Once bled, close needle valve.
7. Pump unit to desired test pressure **\*\* Do not exceed pump rated pressure!**
8. When test is complete, close inlet water supply, then crack needle valve to relieve system pressure.
9. Disconnect hoses.

# WIDDER® HPIH Hydrostatic Test Pump



## **WIDDER® HPIH Hydrostatic Test Pump**

Item	Description	Part #	
		HPIH-3000	HPIH-5000
1	Base	PH-1001	PH-1001
2	Pump	PH-1002-3000	PH-1002-5000
3	Inlet Adapter	PH-1010	PH-1004
4	Inlet Check Valve	PH-1017	PH-1019
5	Outlet Check Valve	PH-1018	PH-1020
6	Outlet Adapter	PH-1016	PH-1015
7	Gauge	PH-1003-3000	PH-1003-5000
8	Gauge Adapter	PH-1005	PH-1005
9	Cross	PH-1011	PH-1011
10	Valve Adapter	PH-1015	PH-1015
11	Bleed Valve	PMI028	PMI028
12	Tube Adapter	PI7000-78	PI7000-78
13	Bleed Tube	PI7000-82	PI7000-82
14	Handle	PH-1021	PH-1021
15	Hex Bolt (Large)	PH-1006	PH-1006
16	Washer (Large)	PH-1007	PH-1007
17	Hex Bolt (Small)	PH-1008	PH-1008
18	Washer (Small)	PH-1009	PH-1009